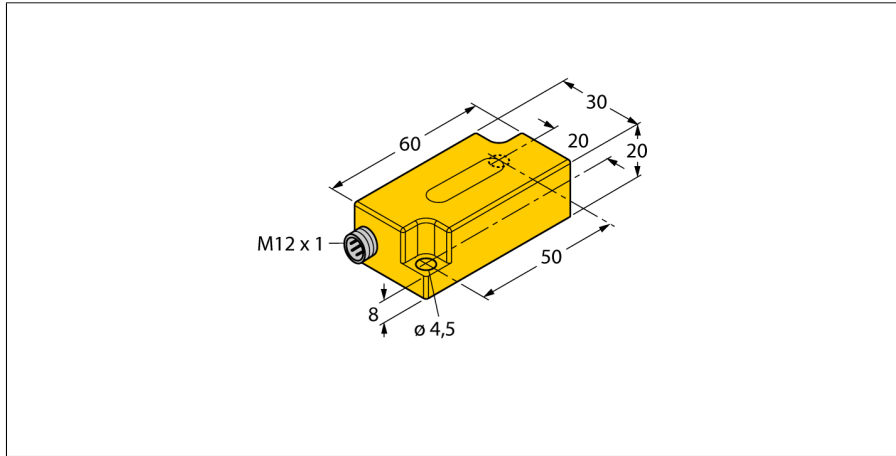


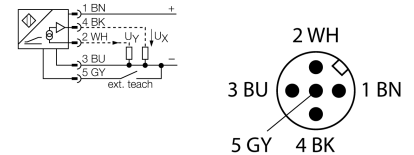
Inclinometer

B2N45H-Q20L60-2LU3-H1151



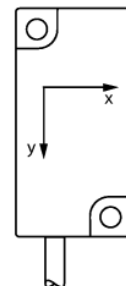
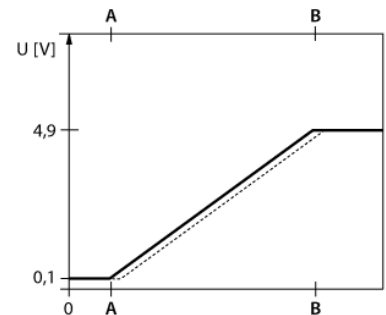
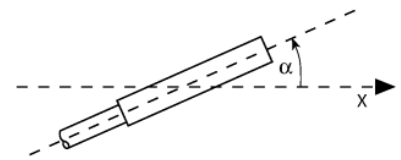
- Plastic, PC
- Zero point calibration +/- 15°
- Two analog outputs
- M12 x 1 male connector

Wiring Diagram



Functional principle

Inclination is determined by a wear-free semi-conducting sensor element.



Type designation	B2N45H-Q20L60-2LU3-H1151
Ident-No.	1534007
Measuring range	-45...+45°
Measuring range x-axis	-45...+45°
Measuring range y-axis	-45...+45°
Repeatability	≤ 0.2 % of measuring range A - B
Linearity deviation	≤ 0.5 %
Temperature drift	≤ ± 0.04 % / K
Resolution	≤ 0.1 °
Ambient temperature	-30...+70 °C
Operating voltage	10...30 VDC
Isolation test voltage	≤ 0.5 kV
Short-circuit protection	yes
Wire breakage/Reverse polarity protection	no/ yes
Surge protection	-48...+48VDC [U _{b,max}]
Output function	5-pin, Analog output
Voltage output	0.1...4.9V
Load resistance voltage output	≥ 40 kΩ
Response time	0.1 s
	time for the output signal to achieve 90% full scale if the angle changes from -45° to +45°
Current consumption	50 mA
Design	Rectangular, Q20L60
Dimensions	60 x 30 x 20 mm
Housing material	Plastic, PC
Electrical connection	Connector, M12 x 1
Vibration resistance	55 Hz (1 mm)
Shock resistance	30 g (11 ms)
Protection class	IP68/IP69K
MTTF	203 years acc. to SN 29500 (Ed. 99) 40 °C
Packaging unit	1

Inclinometer

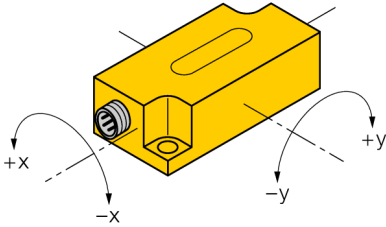
B2N45H-Q20L60-2LU3-H1151

TURCK
works

Industrial
Automation

Mounting instructions/Description

Tilt angle



Teaching

The zero point can be adjusted with teach adapter TX1-Q20L60.

Teach-GND is pressed for approx. 1 s to do this. The outputs are switched to 5 V as confirmation.

Teach-GND is pressed for 6 s to reset the axis zero points. The outputs are switched to 0 V as confirmation. Once the teach button is released, the sensor returns to normal operation.

Inclinometer
B2N45H-Q20L60-2LU3-H1151



Accessories

Type code	Ident-No.	Description	
TX1-Q20L60	6967114	Teach adapter for inductive encoders, linear position, angle, ultrasonic and capacitive sensors	
SG-Q20L60	6901100	Protective frame for Q20L60; protects against mechanical impact; stainless steel	